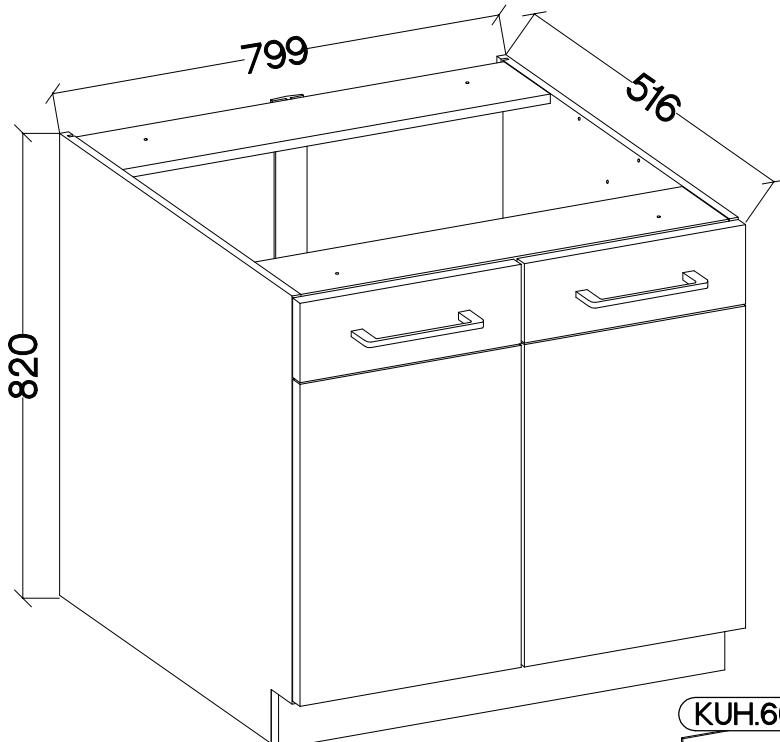
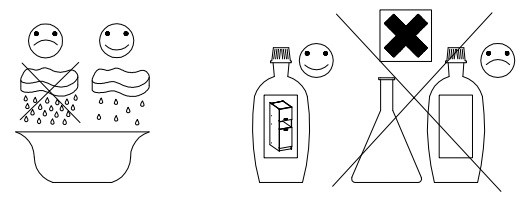
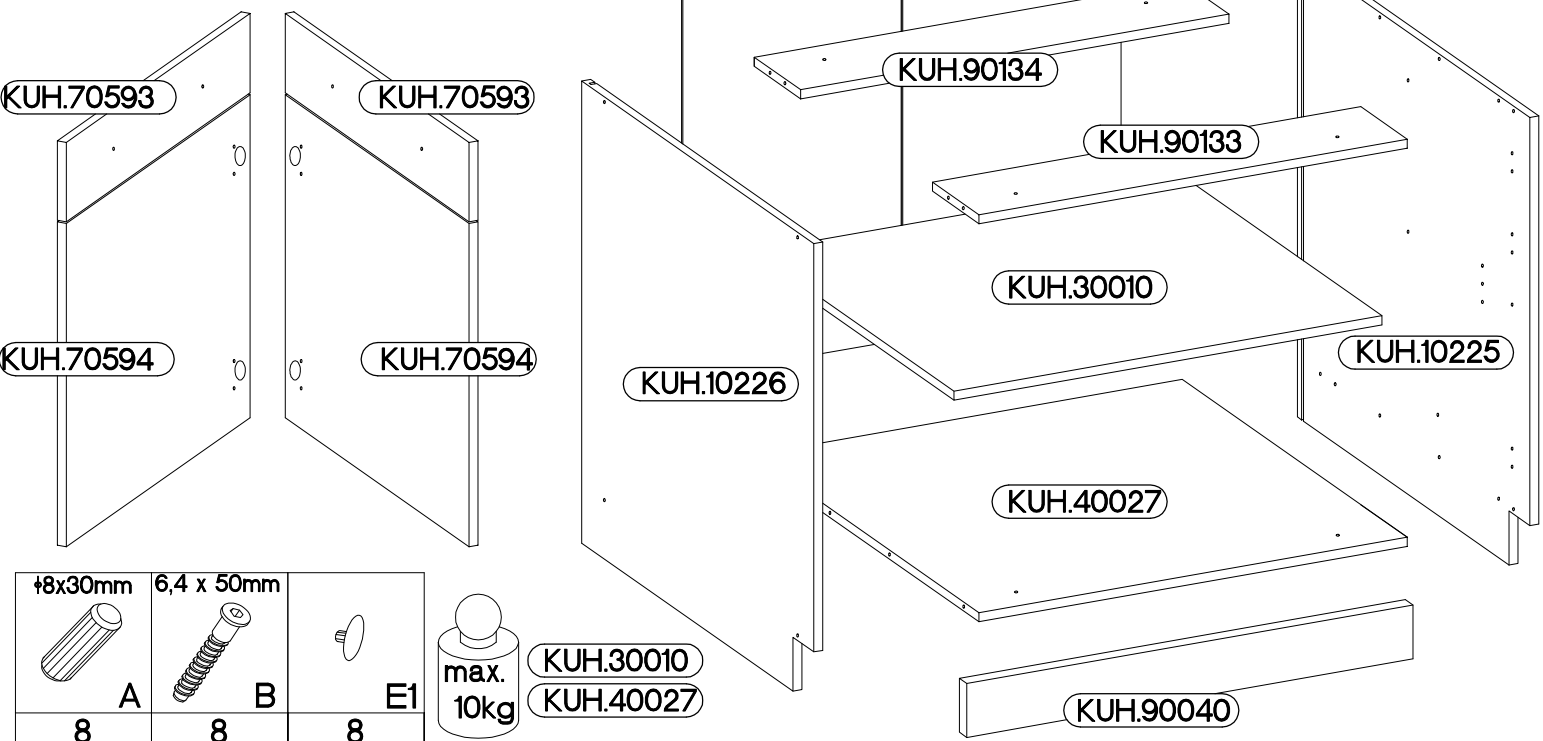
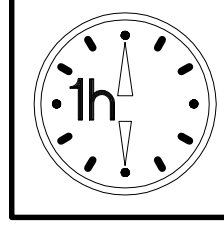


80 D 2F BB

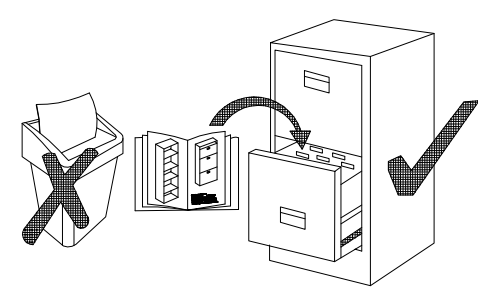


Ersatzteil Nummer	Dimension
KUH.10225	815x500x16
KUH.10226	815x500x16
KUH.30010	766x430x16
KUH.40027	767x485x16
KUH.60032 x2	713x391x2,5
KUH.70593 x2	396x140x16
KUH.70594 x2	396x570x16
KUH.90133	767x100x16
KUH.90134	767x100x16
KUH.90040	799x95x16




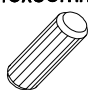
+8x30mm A	6,4 x 50mm B			6.5x48x16 F2	+35/0mm HG	+5/19mm J			L1=680mm L1
8	8	8	2	4	4	4	4	2	1
	+4.0x45mm P4	+3.5x13mm P5	+3.0x20mm P7	+4.0x35mm R3	L=192mm S	M4x22mm U			
1	2	16	10-15	4	2	4			

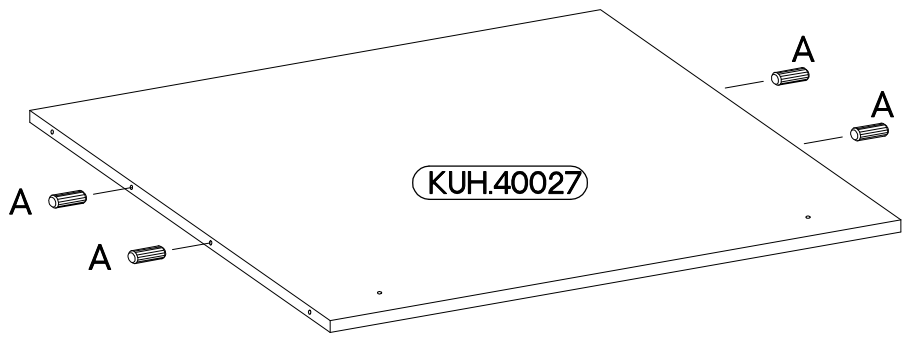
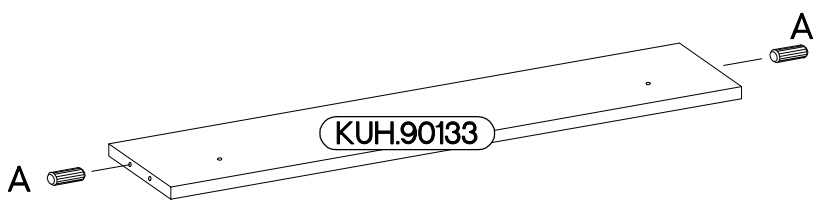
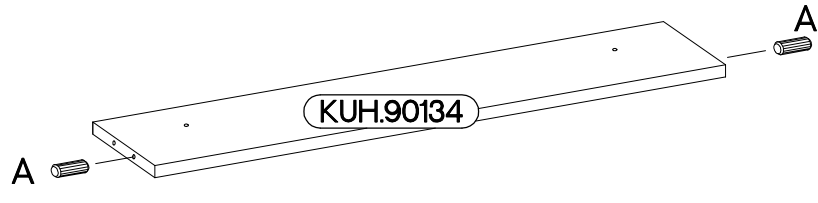
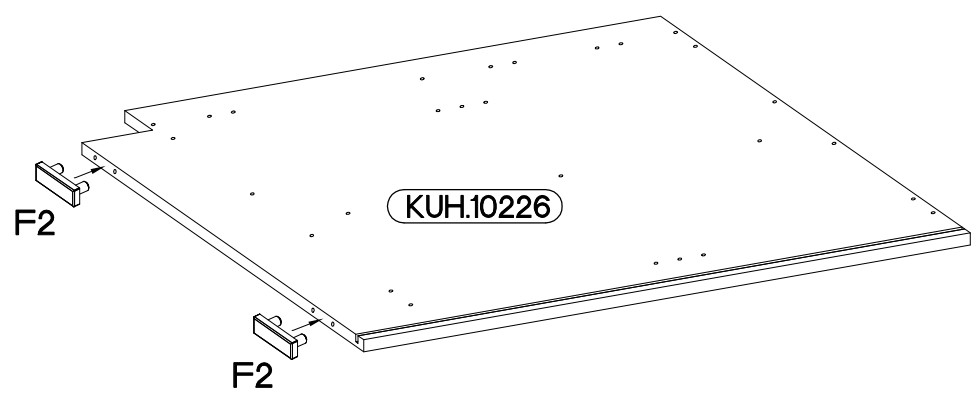
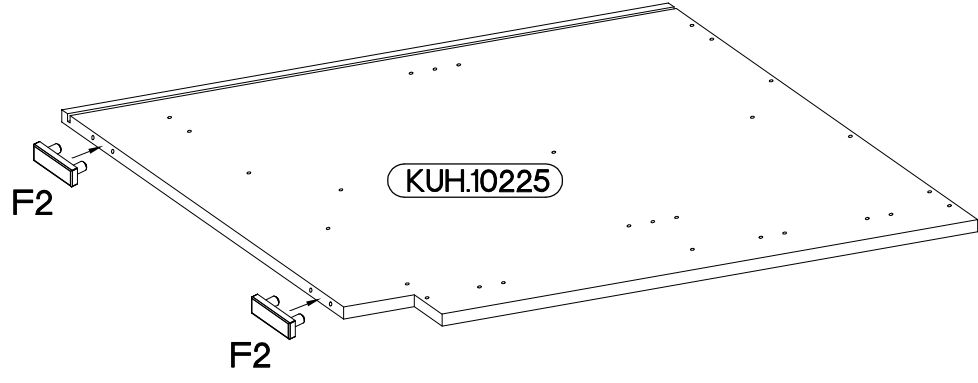
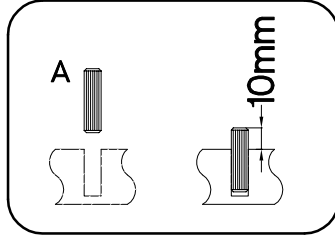
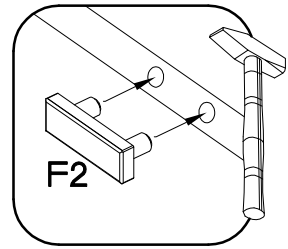
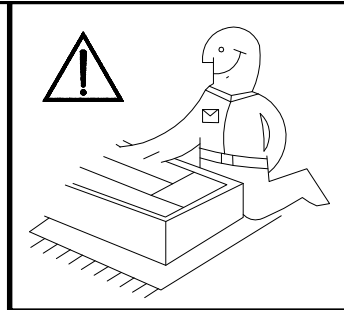
max. 10kg
KUH.30010
KUH.40027



ISM-KUH-002151

1

6.5x48x16  F2 4	+8x30mm  A 8
--	---



2

6,4 x 50mm



B

4



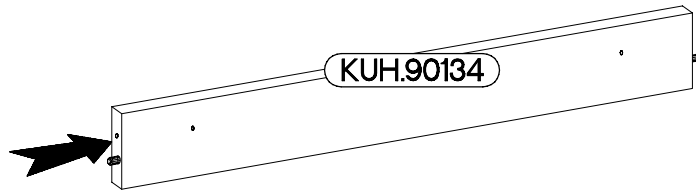
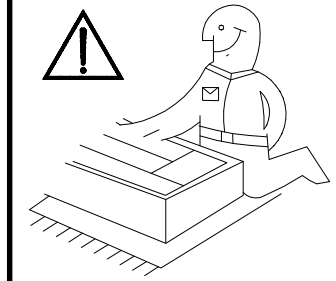
O

1

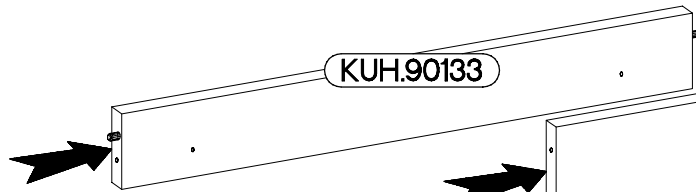


E1

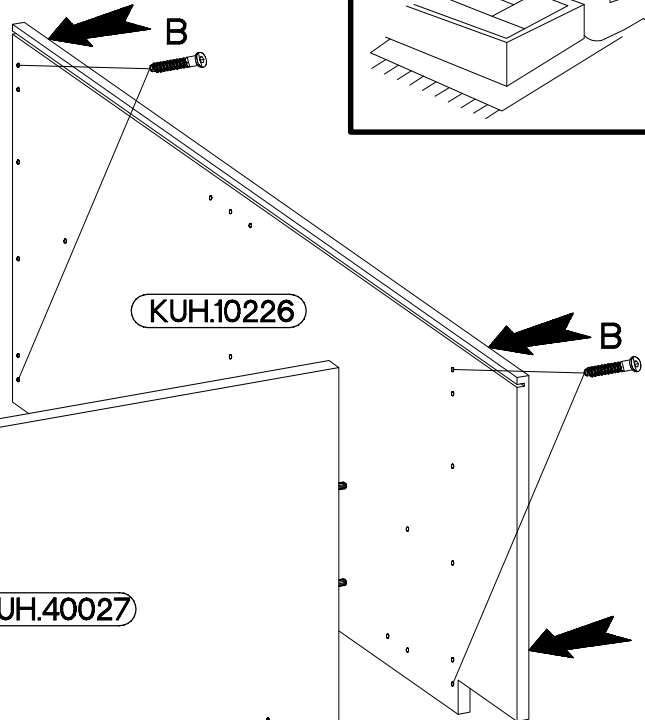
4



KUH.90134

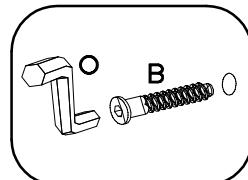


KUH.90133



KUH.10226

KUH.40027



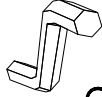
3

6,4 x 50mm



B

4



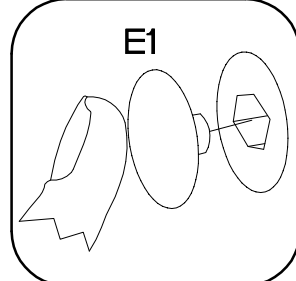
O

1

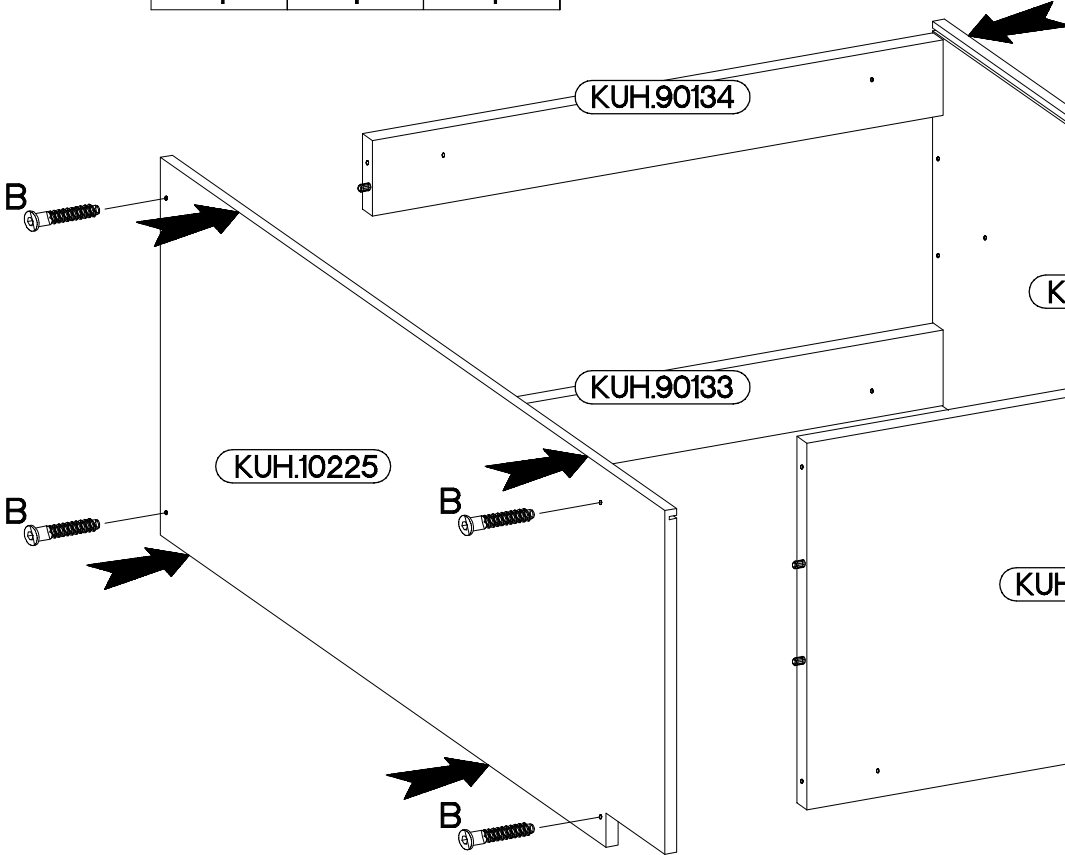
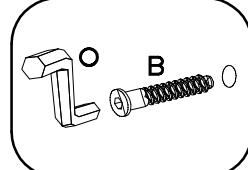


E1

4



E1



KUH.90134



KUH.10225

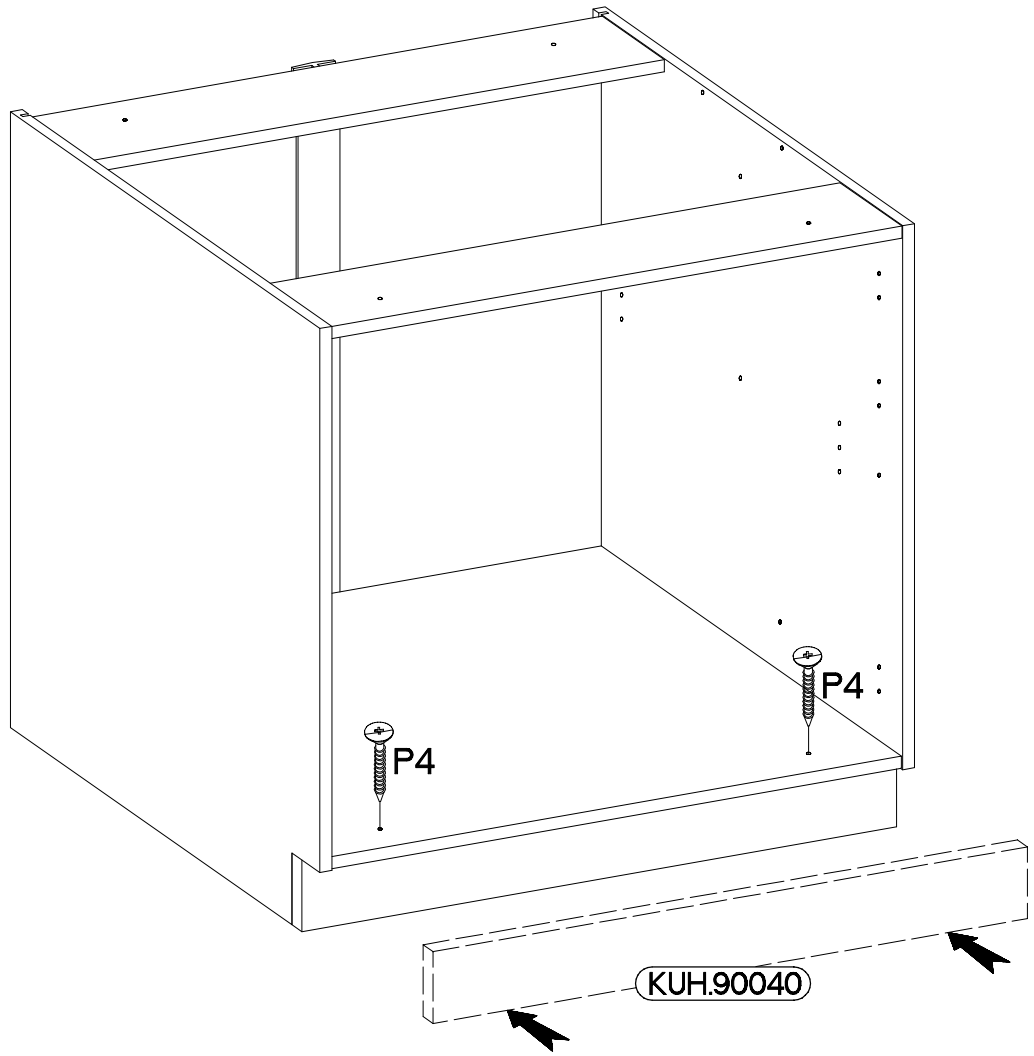
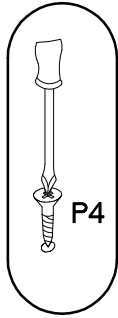
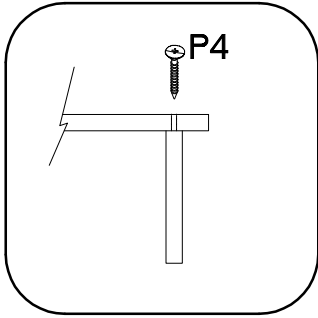
KUH.90133

KUH.10226


KUH.40027

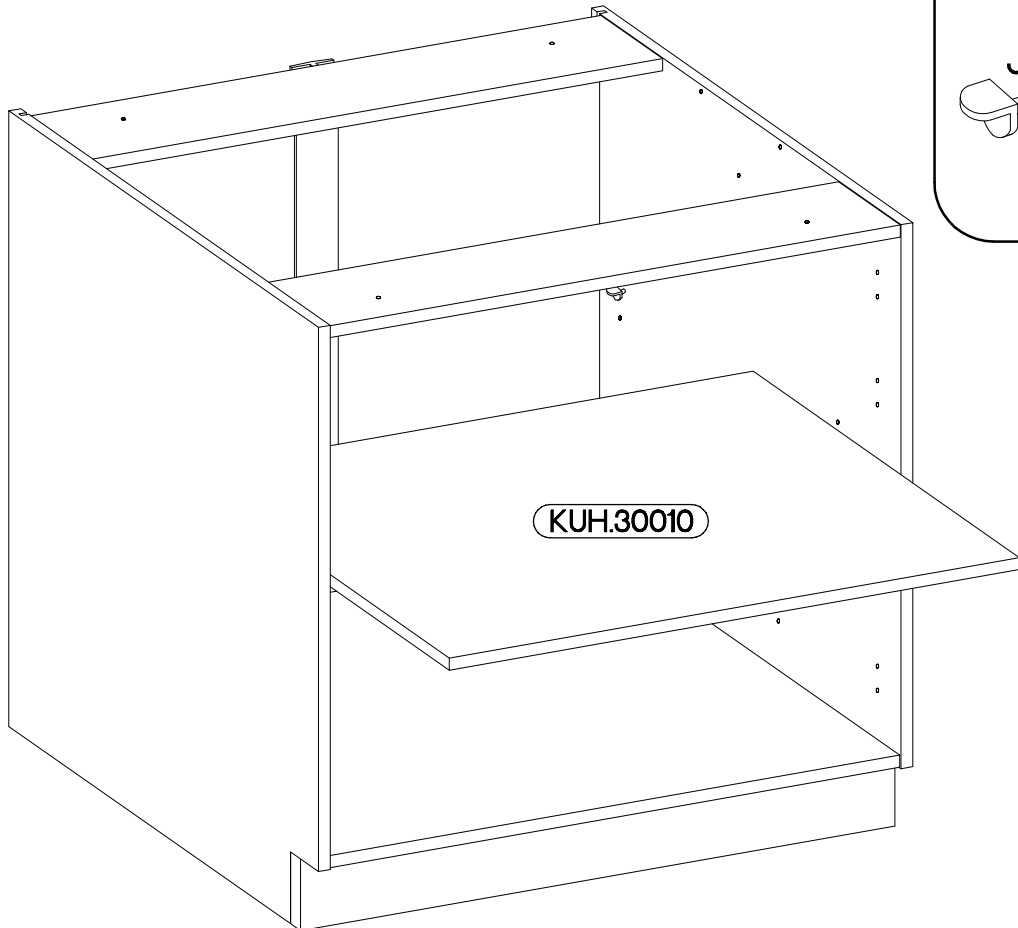
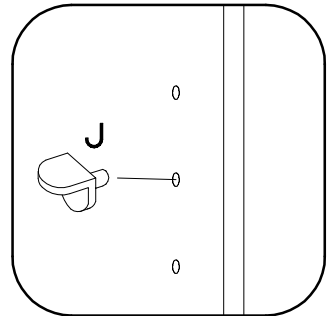
6

$\pm 4.0 \times 45 \text{mm}$  P4 2	 E9 2
--	---



7

$\pm 5 / 19 \text{mm}$  J 4



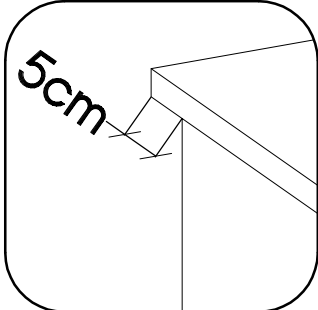
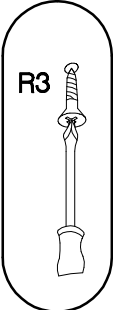
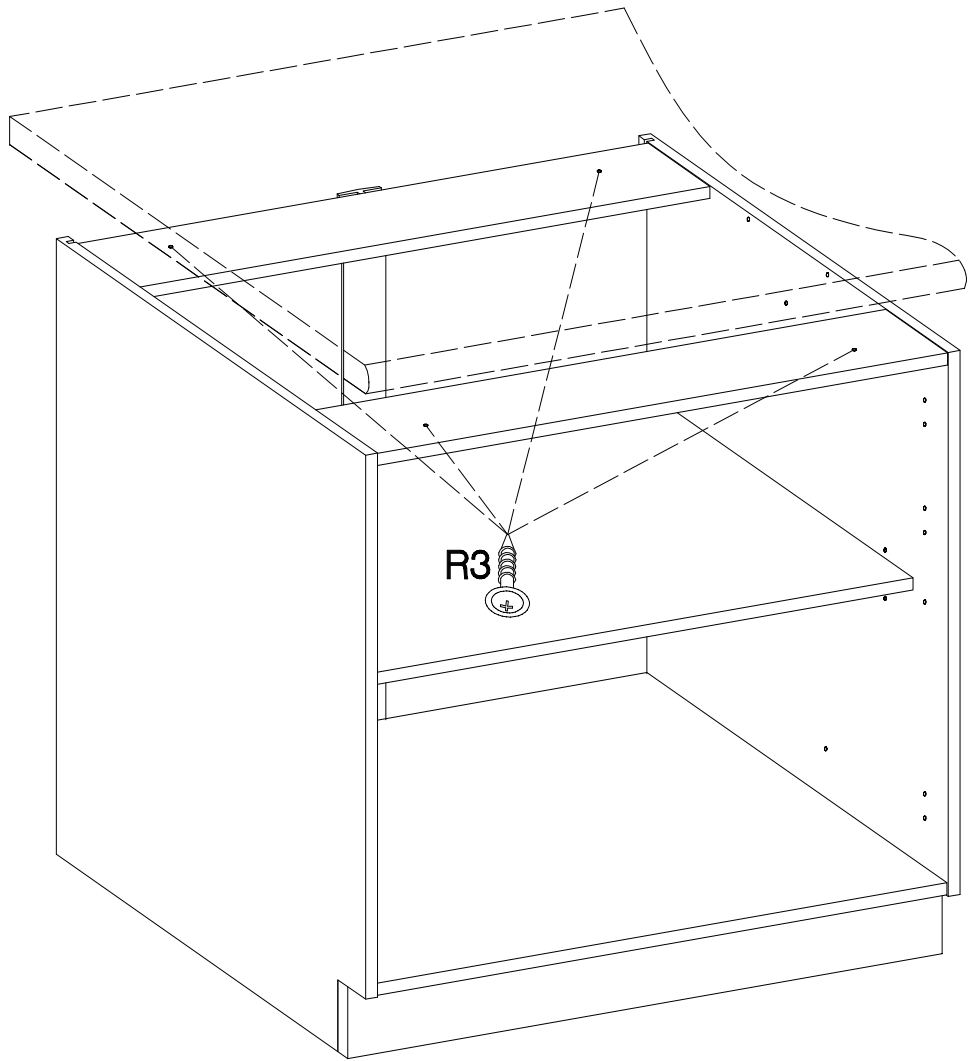
8

4.0x35mm

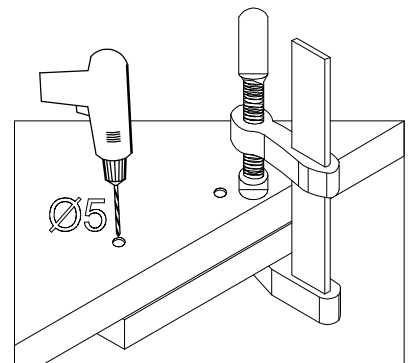
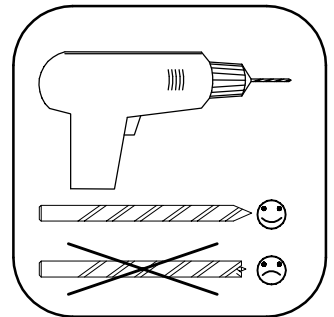
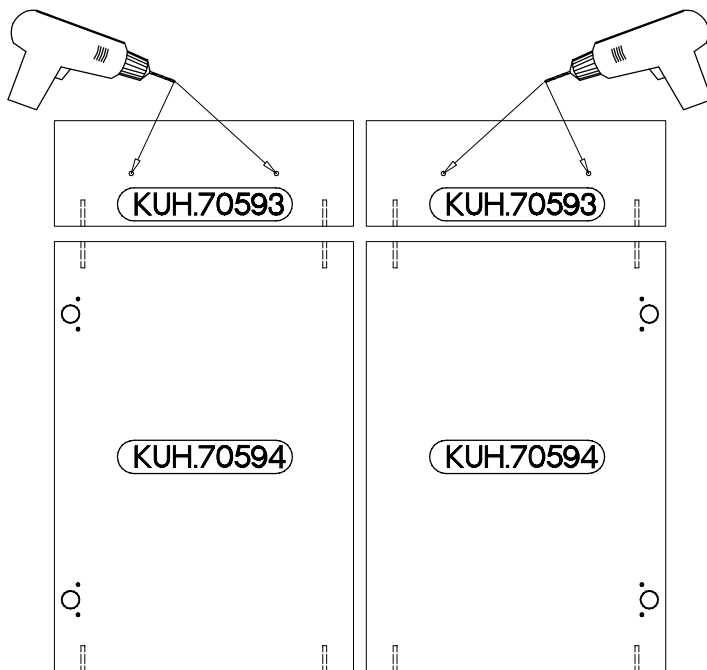


R3

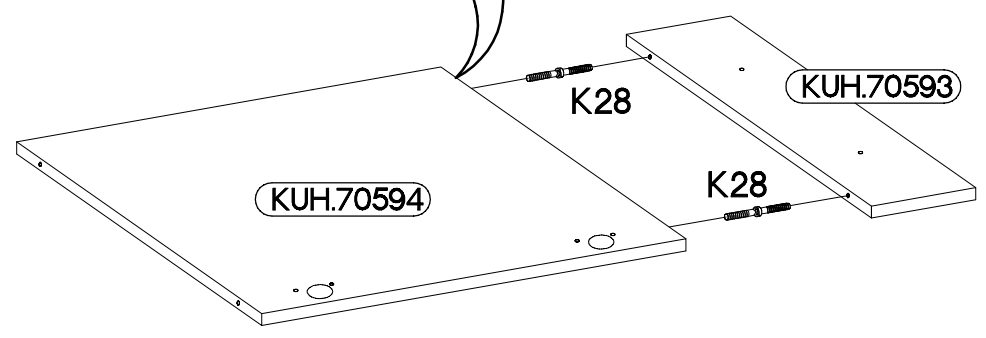
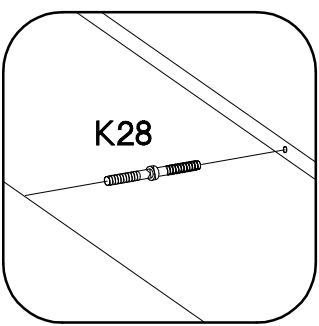
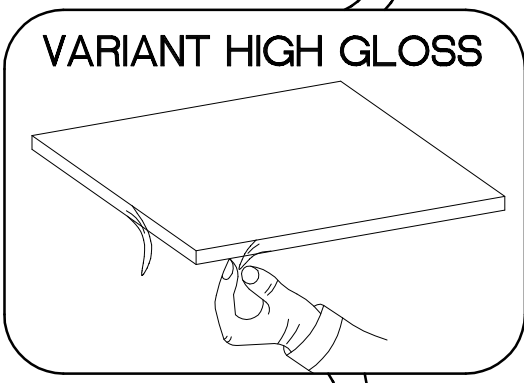
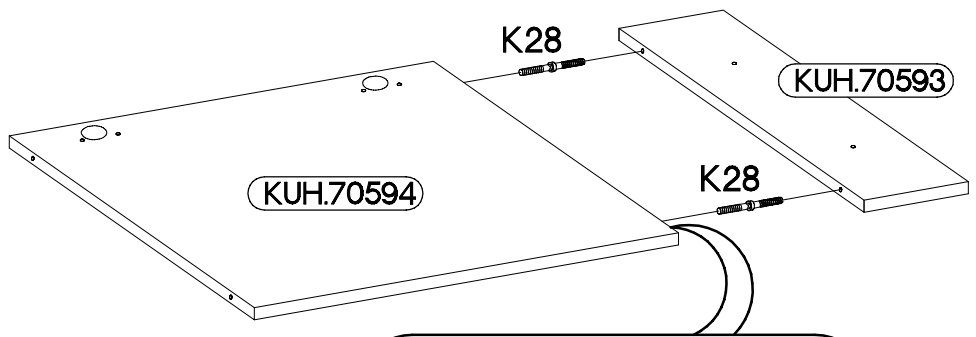
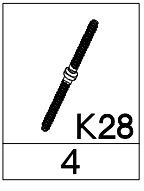
4



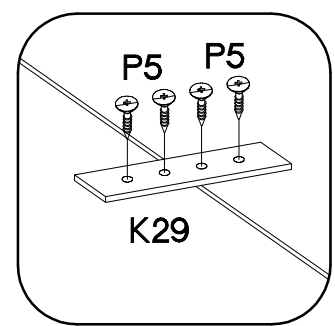
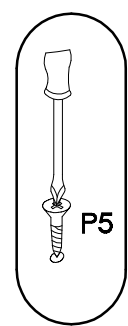
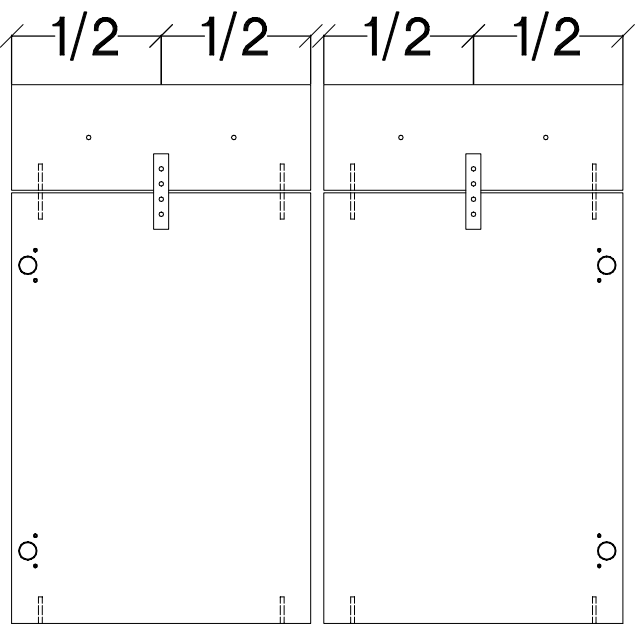
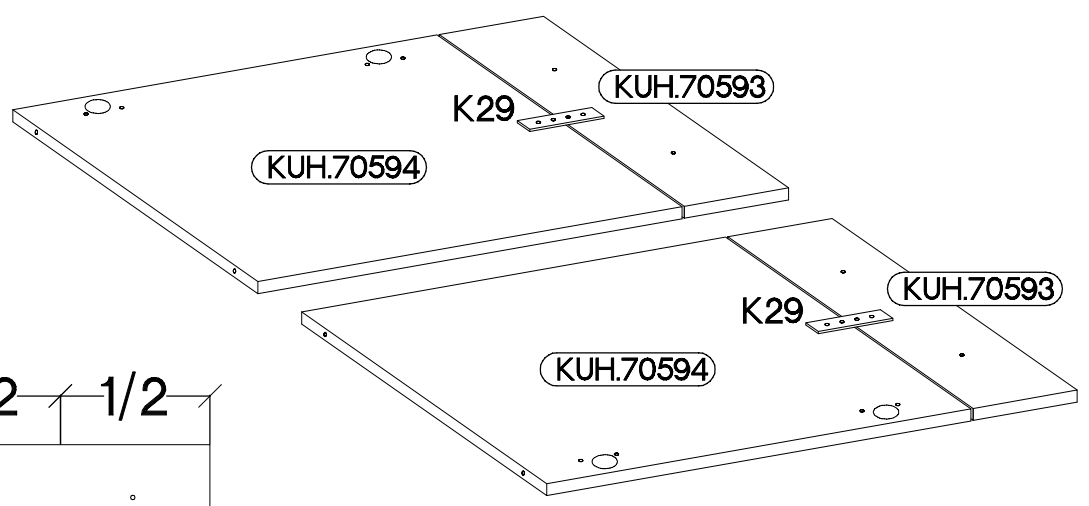
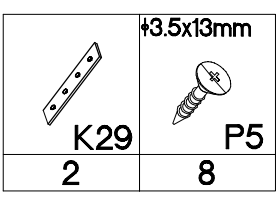
9



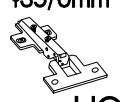

10

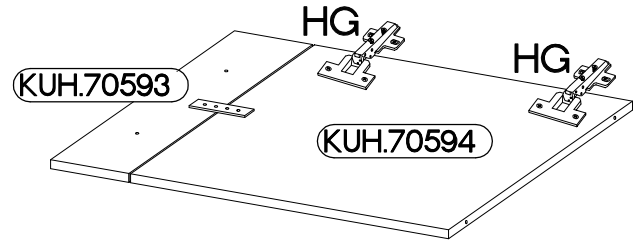
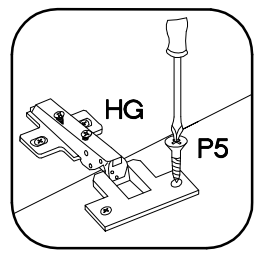
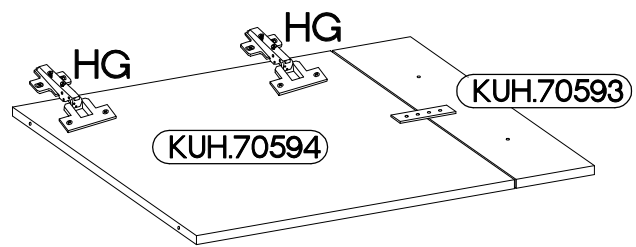


11

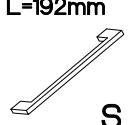



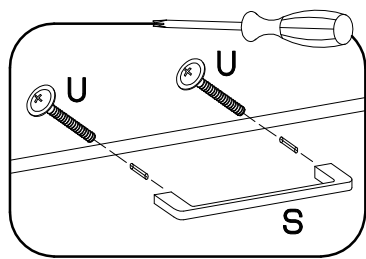
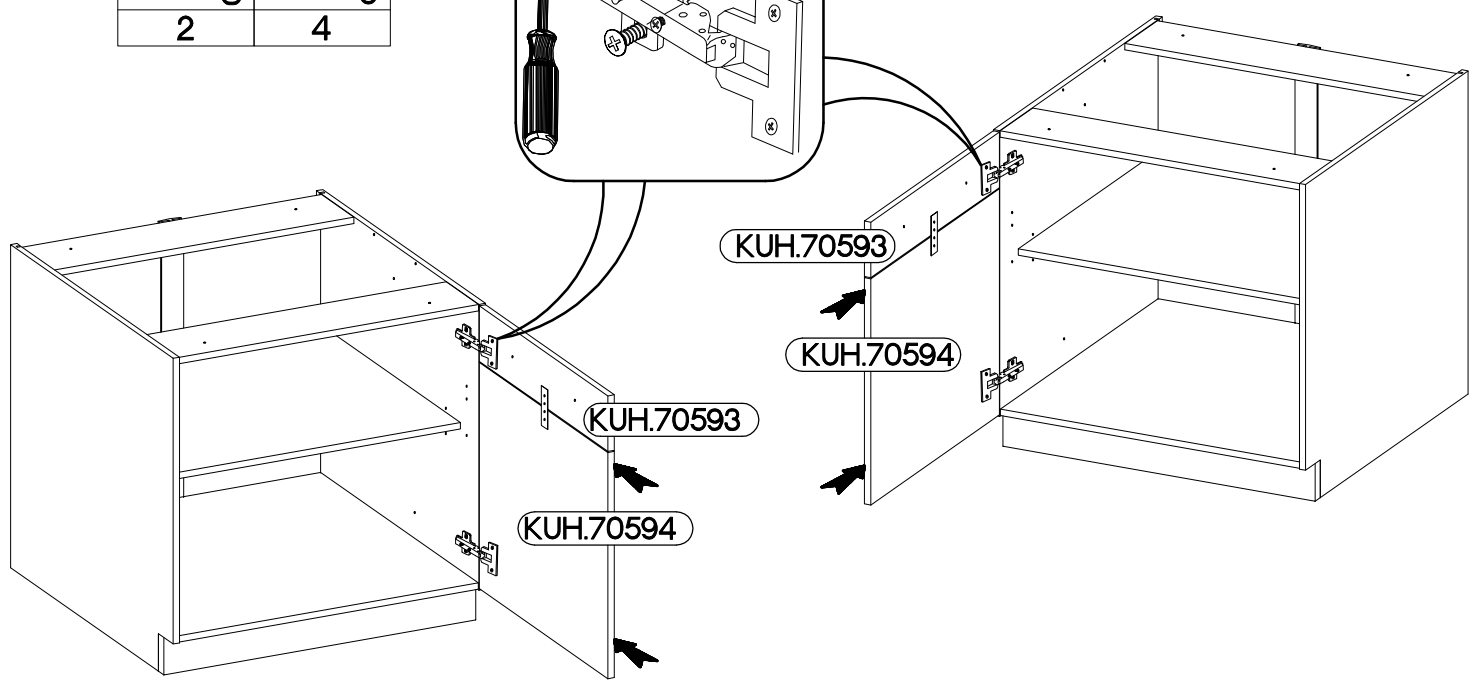
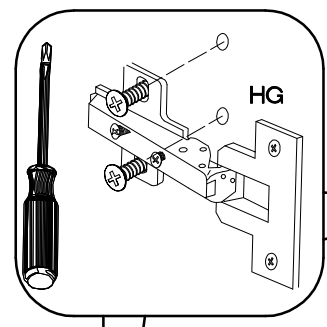
12

$\varnothing 35/0mm$  HG 4	$\varnothing 3.5 \times 13mm$  P5 8
---	--



13

$L=192mm$  S 2	$M4 \times 22mm$  U 4
--	---



VARIANT HIGH GLOSS

